



FUEL MANAGEMENT SYSTEMS



DISPENSERS



KITS



PUMPS



METERS



NOZZLES

# A60 / A80 / A120 / A140

## FEATURES

- AUTOMATIC
- READY TO USE
- STURDY DESIGN

Among the range of nozzles for fuel dispensing, PIUSI A60/A80/A120/A140 consist of a range of automatic devices for flow rates up to 140 l/min fitted with an inner device that automatically stops the fluid dispensing when the tank is full. These nozzles also include a swivel connector.

### PERFORMANCE

|                           |                                     |
|---------------------------|-------------------------------------|
| UP TO<br><b>140 L/MIN</b> | <b>1" BSP</b>                       |
| FLOW RATE                 | INLET                               |
| <b>A60</b><br><b>24MM</b> | <b>A80/A120/A140</b><br><b>29MM</b> |
| SPOUT                     | SPOUT                               |



A60



A80



A120



A140



### PACKAGING

| CODE           |             | WEIGHT |      | PACKAGING   |           |         | BOXES/EUROPALLET |   |
|----------------|-------------|--------|------|-------------|-----------|---------|------------------|---|
| WITHOUT SWIVEL | WITH SWIVEL | KG     | LBS  | MM          | INCH      | PCS/BOX |                  |   |
| <b>A60</b>     |             |        |      |             |           |         |                  |   |
| -              | FO0603060   | 1,25   | 2,76 | 36OX36OX280 | 14X14X11  | 1       | -                | - |
| -              | FO0602020   | 1,20   | 2,65 | 36OX36OX280 | 14X14X11  | 1       | -                | - |
| -              | FO0613A00   | 1,30   | 2,87 | 36OX36OX280 | 14X14X11  | 1       | -                | - |
| -              | FO0870010   | 1,70   | 3,74 | 36OX36OX280 | 14X14X11  | 1       | -                | - |
| <b>A80</b>     |             |        |      |             |           |         |                  |   |
| -              | FO0604030   | 1,93   | 4,25 | 36OX36OX280 | 14X14X11  | 1       | -                | - |
| <b>A120</b>    |             |        |      |             |           |         |                  |   |
| -              | FO0610020   | 1,93   | 4,25 | 36OX36OX280 | 14X14X11  | 1       | -                | - |
| -              | FO0614A00   | 1,65   | 3,64 | 36OX36OX280 | 14X14X11  | 1       | -                | - |
| <b>A140</b>    |             |        |      |             |           |         |                  |   |
| FO0610200      | -           | 2,00   | 4,41 | 46OX200X80  | 181X78X31 | 1       | -                | - |



FILTRATION



TANK MONITORING



HOSE REEL



ACCESSORIES



MERCHANDISE



AIR



ANTIFREEZE



AdBlue®



BIODIESEL



DIESEL



FOOD



GASOLINE



GREASE



KEROSENE



OIL

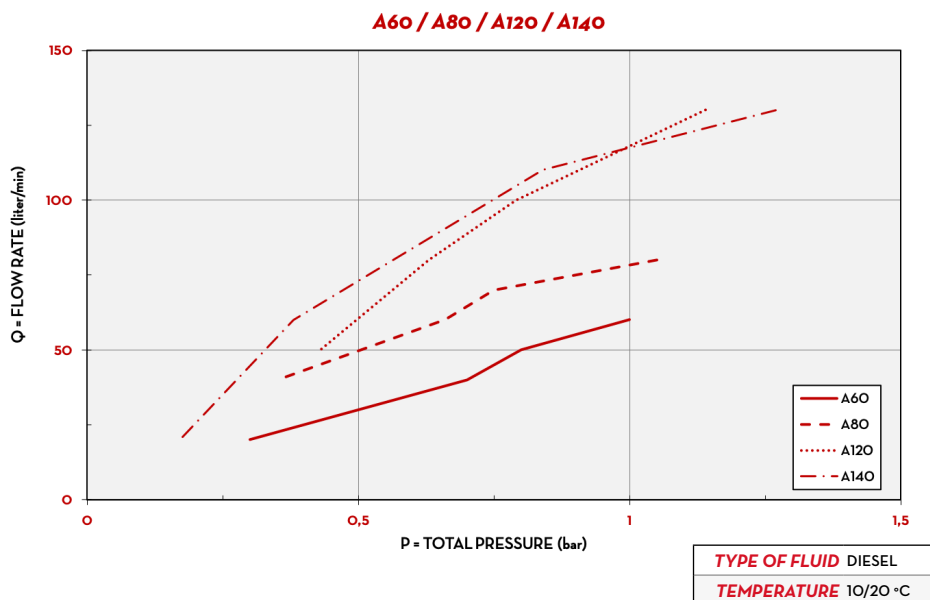


WATER



WINDSCREEN

## CHART



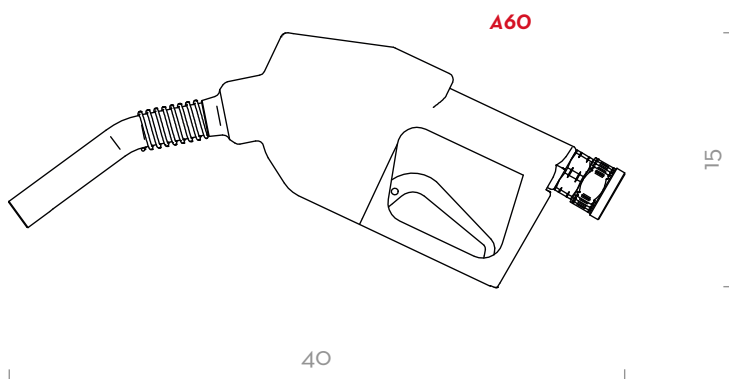
## IN THE BOX

- A60/A80/A120/A140 NOZZLE

## DETAILS



## DIMENSIONS



Dimensions expressed in millimeters

## MATERIALS

- BODY: ALUMINIUM
- SEAL: VITON

## TECHNICAL DATA

| CODE           |             | DESCRIPTION                            | FLUIDS TYPE | FLOW RATE |     | INLET              |                 | SPOUT     |
|----------------|-------------|--|-------------|-----------|-----|--------------------|-----------------|-----------|
| WITHOUT SWIVEL | WITH SWIVEL |  |             | L/MIN     | GPM | WITHOUT SWIVEL BSP | WITH SWIVEL BSP | EXT. Ø MM |
| <b>A60</b>     |             |  |             |           |     |                    |                 |           |
| -              | FO0603060   | AUTOMATIC NOZZLE A60 W/SWIVEL 3/4" BSP | D G         | 60        | 16  | F3/4"              | F1"             | 24        |
| -              | FO0602020   | AUTO NOZZLE A60 W/SWIVEL 3/4" UNLEADED | D G         | 60        | 16  | F3/4"              | F1"             | 20        |
| -              | FO0613A00   | AUTO NOZZLE A60 EN 13012 W/SWIVEL 3/4" | D           | 70        | 19  | F3/4"              | F1"             | 24        |
| -              | FO0870010   | AUTOMATIC NOZZLE A60 W/K24 METER BLACK | D           | 70        | 19  | -                  | F1"             | 24        |
| <b>A80</b>     |             |  |             |           |     |                    |                 |           |
| -              | FO0604030   | AUTOMATIC NOZZLE A80 W/SWIVEL 1" BSP   | D G         | 90        | 24  | -                  | F1"             | 29        |
| <b>A120</b>    |             |  |             |           |     |                    |                 |           |
| -              | FO0610020   | AUTOMATIC NOZZLE A120 W/SWIVEL 1" BSP  | D G         | 120       | 32  | -                  | F1"             | 29        |
| -              | FO0614A00   | AUTO NOZZLE A120 EN 13012 W/SWIVEL 1"  | D           | 120       | 32  | -                  | F1"             | 29        |
| <b>A140</b>    |             |  |             |           |     |                    |                 |           |
| -              | FO0610200   | AUTOMATIC NOZZLE A140 W/SWIVEL 1" BSP  | D           | 140       | 37  | -                  | F1"             | 29        |

# A60 / A80 / A120 / A140